

STAINLESS STEEL PRESS-FIT 510 CARTRIDGE  
10.5 mm

DESIGNED IN  
CALIFORNIA



Medical-grade stainless steel center vent tube with an industry-leading, proprietary clean ceramic coil and stainless steel heating element. Available in 0.5g and 1.0g capacities, two mouthpiece designs and three standard colors.



STS / STAINLESS STEEL PRESS-FIT 510 CARTRIDGE  
10.5 mm

Mouthpiece  
BPA Free Copolymer



Reservoir Crown  
Stainless Steel



Reservoir  
BPA-Free Copolymer



Vent Tube  
Single Piece  
Stainless Steel



Ceramic Coil Assembly  
Proprietary  
Heavy Metal-Free  
Clay-Based Ceramic



Reservoir Base  
Stainless Steel  
with Brass Threads

## SPECIFICATIONS

Dimensions	Diameter: 10.5 mm
	Height: 50 mm (0.5g)
	Height: 50 mm (1.0g)
Vent Tube Material	Stainless Steel
Mouthpiece Material	BPA-Free Copolymer
Reservoir Material	BPA-Free Copolymer
Reservoir Capacity	0.5g      1.0g
Heating Element	Medical Grade 316 Stainless 1.2ohm
Coil Assembly	Ceramic
Thread	510
Air Intake	Bottom - Fixed
Silicone Mouthpiece Cap	Translucent Included
Silicone Thread Protector	Translucent Included
Mouthpiece Colors	Gloss Black Gloss Smoke Tint Gloss Clear
Mouthpiece Fitting	Press Fit
Mouthpiece Shapes	Duck Bill Barrel

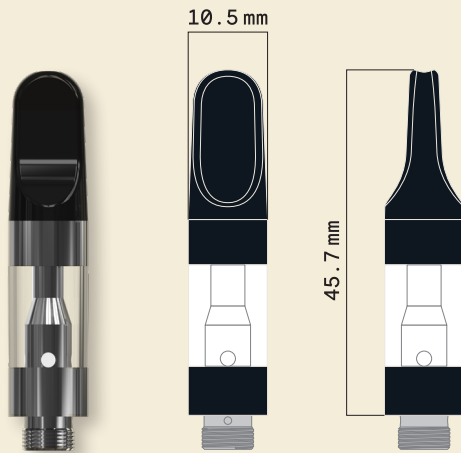


DUCK BILL

BARREL

STS / STAINLESS STEEL PRESS-FIT 510 CARTRIDGE  
10.5 mm

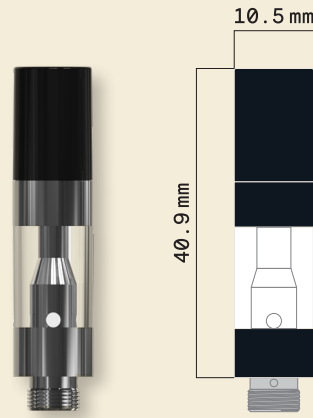
0.5 G DUCK BILL



GLOSS BLACK  
SMOKE TINT  
GLOSS CLEAR

STS.SDB.BLAC.05  
STS.SDB.SMOKE.05  
STS.SDB.CLEAR.05

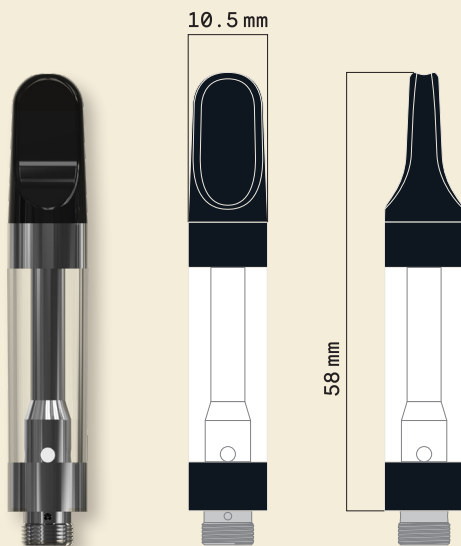
0.5 G BARREL



GLOSS BLACK  
SMOKE TINT  
GLOSS CLEAR

STS.BRL.BLAC.05  
STS.BRL.SMOKE.05  
STS.BRL.CLEAR.05

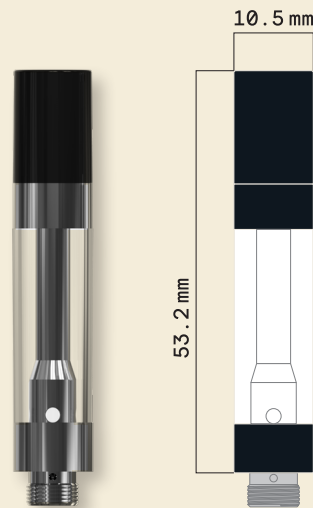
1.0 G DUCK BILL



GLOSS BLACK  
SMOKE TINT  
GLOSS CLEAR

STS.SDB.BLAC.10  
STS.SDB.SMOKE.10  
STS.SDB.CLEAR.10

1.0 G BARREL



GLOSS BLACK  
SMOKE TINT  
GLOSS CLEAR

STS.BRL.BLAC.10  
STS.BRL.SMOKE.10  
STS.BRL.CLEAR.10

STS / STAINLESS STEEL PRESS-FIT 510 CARTRIDGE  
10.5 mm

-----  
SHORT DUCK BILL



-----  
BARREL



STS / STAINLESS STEEL PRESS-FIT 510 CARTRIDGE  
10.5 mm

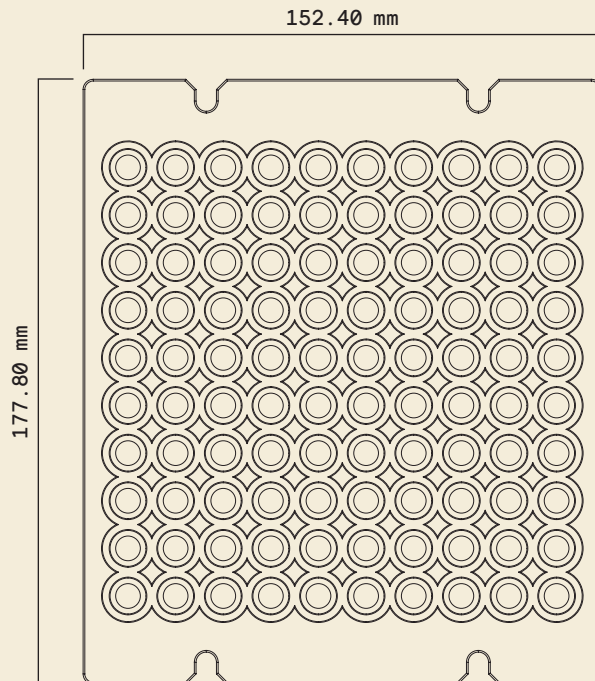
READY TO FILL IN  
CONVECTIUM TRAYS  
OFF 100

Cartridge bases come pre-racked and  
clean room sealed in trays of 100

Ready-to fill in the Convection 710 Shark  
filling machine

Easy-to-seal press-fit mouthpieces

Mouthpiece jigs available for the  
Convection Captian capping machine  
pre-racked and clean room sealed in  
trays of 100



100 BASES PER FILLING TRAY



STS / STAINLESS STEEL PRESS-FIT 510 CARTRIDGE  
10.5 mm



## PACKAGING

ASTM CERTIFIED CHILD RESISTANT  
PACKAGING AVAILABLE

Fully customizable boxes,  
tubes in a variety of sizes.



STS / STAINLESS STEEL PRESS-FIT 510 CARTRIDGE  
10.5 mm



## CUSTOMIZATION

Color Match Mouthpiece	10k MOQ	4 week lead time
Color Match Silicone Mouthpiece and Thread Caps	10k MOQ	2 week lead time
Base or Tank Pad Print	10k MOQ	4 week lead time
Base Laser Etch	10k MOQ	4 week lead time
State/Country Specific Warning Label Application	10k MOQ	4 week lead time